

aquatica®

Function : Form : Fashion



Bollicine-D-228
8.5" Sink Faucet

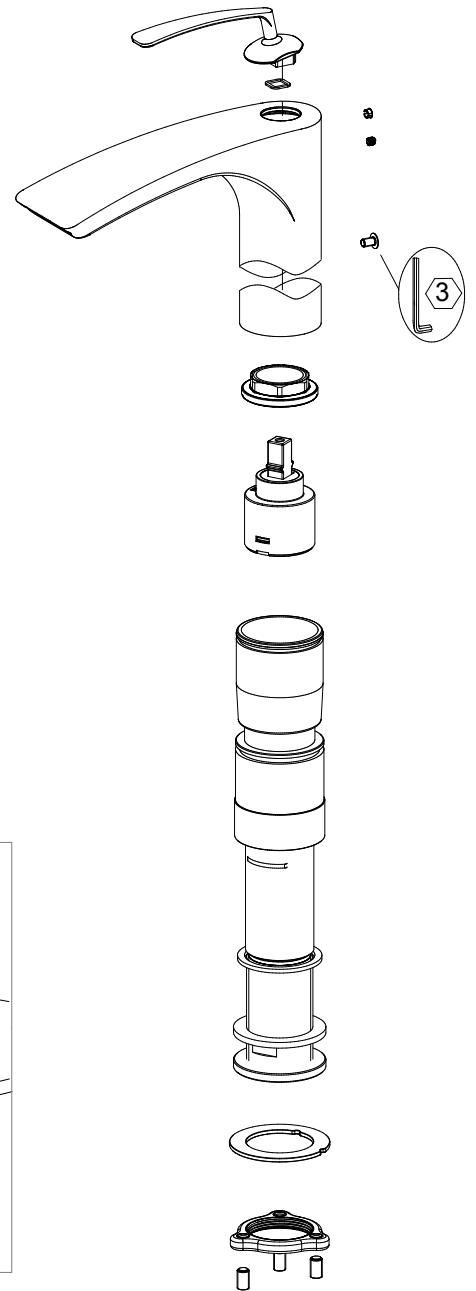
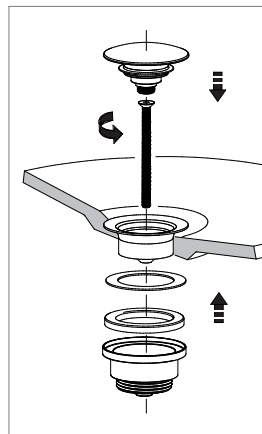
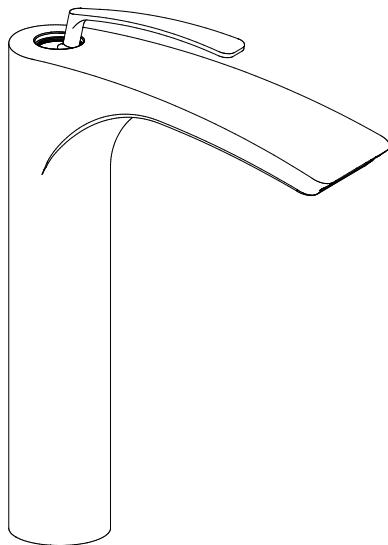
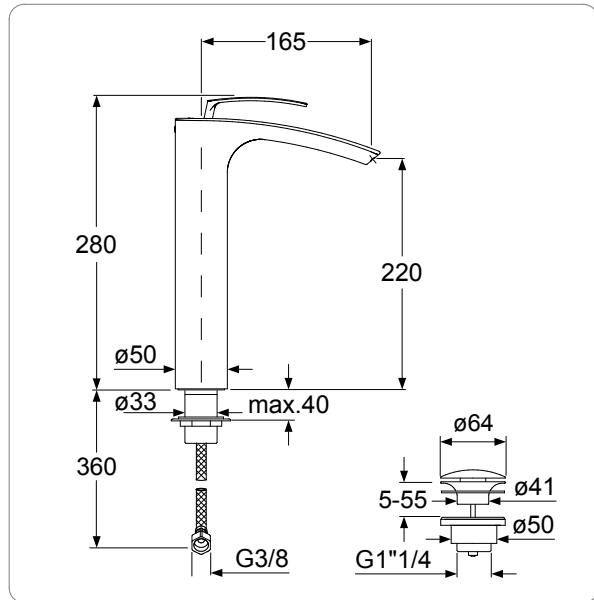
Installation & Care Manual
Europe / International

Bollicine-D-228

8.5" Sink Faucet

PARTS LIST

MEASUREMENTS: mm

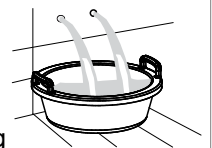


SPECIFICATIONS

Recommended operational pressure	1-5 bar
Maximum test pressure	16 bar
Maximum hot water temperature	80 °C
Recommended temperature	50-60 °C
Pressure difference between hot and cold water	max. 1,5 bar

IMPORTANT NOTE

- Installation to be performed by qualified personnel
- Before connecting to mains, bleed the pipes to avoid damage.



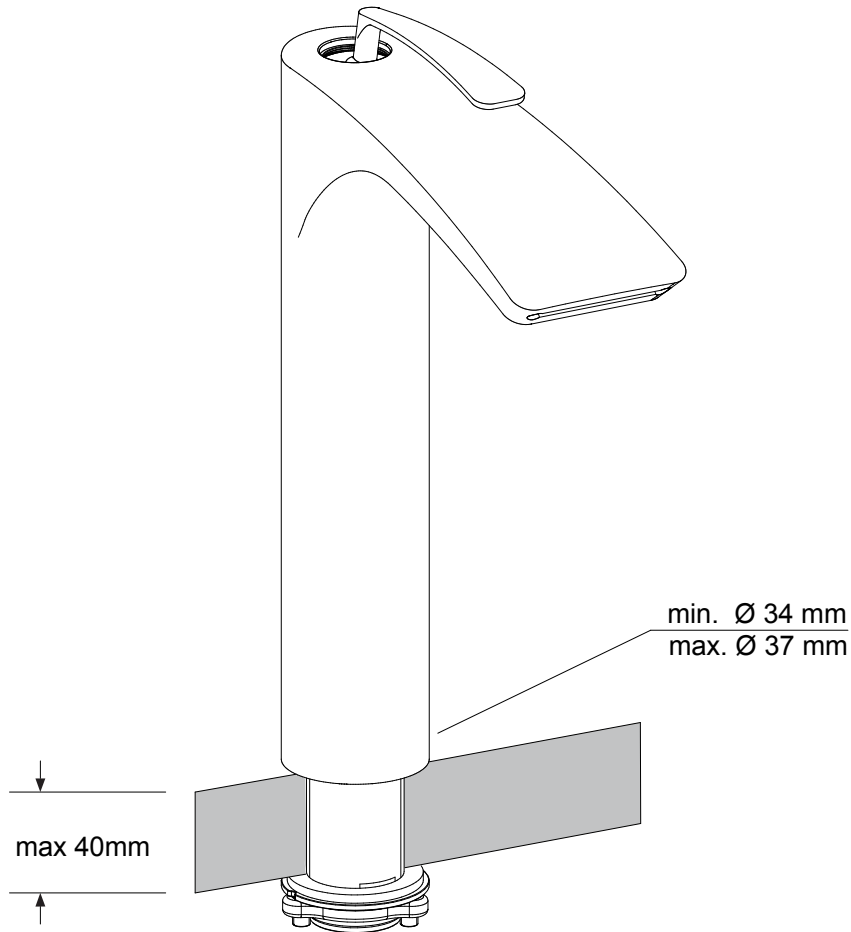
Bollicine-D-228

8.5" Sink Faucet

INSTALLATION SEQUENCE

aquatica®

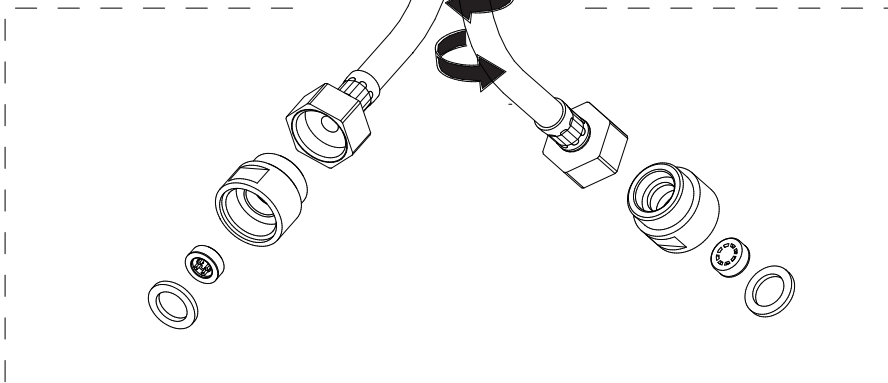
Function, Form & Fashion



360°

Flexible Connection With Patented Anti-torsion System

* Flow rate reducer connection



aquatica®
Function, Form & Fashion

aquatica®

Function : Form : Fashion

